

## Standard Preparation 1200 mm Sink with 1 Bowl & Right Drain

ITEM # \_\_\_\_\_

MODEL # \_\_\_\_\_

NAME # \_\_\_\_\_

SIS # \_\_\_\_\_

AIA # \_\_\_\_\_



**133191 (NSBD1217R)**

Sink unit for undercounter dishwasher with 1 bowl W400xD500xH300mm and right hand drainer, 1200mm

### Short Form Specification

**Item No.** \_\_\_\_\_

Made from 304 AISI stainless steel. The 50mm high worktop in 304 AISI stainless steel, 1mm in thickness, is sound-deadened and has an overflow rim and welded corners. Integral rear upstand, h=100mm, with 10mm radius. Allround apron. Square section legs 40x40mm on 1" height-adjustable feet (+/-20mm). Bowl W400xD500xH300mm with overflow pipe and 2" drain hole; right hand drainer. An undercounter dishwasher can be placed under the drainer.

### Main Features

- Sturdiness, stability and reliability of table accurately tested.

### Construction

- 50 mm worktop in 304 AISI stainless steel, 10/10 in thickness with overflow rim along the top.
- 100 mm upstand with 8 mm radiused corner and 13 mm deep, designed to be used against a wall.
- Square section legs and 40 mm height-adjustable feet in 304 AISI stainless steel.
- Sink tops easily slotted onto the legs and taps are easily installed from the rear.
- Bottom part of drain left free to house an undercounter dishwasher.
- Wide range of taps are available to suit every need.
- Drainage area suitable for drying operations
- 100 mm upstand with 10 mm radiused corner and 13 mm deep, designed to be used against a wall.

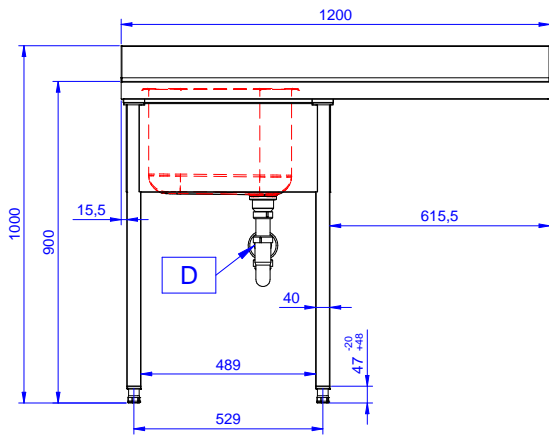
### Optional Accessories

- Set of 4 wheels (2 with brake) PNC 855150   
d. 100mm for tables and sinks  
(total height on wheels= 993 mm)
- Elbow operated mixer tap with PNC 855322   
spout, 3/4" single hole
- Elbow operated mixer tap short PNC 855323   
spout, 3/4" single hole
- Foot operated Mixer tap with PNC 855328   
spout & with hot&cold pedals,  
3/4"
- Elbow operated mixer tap with PNC 855374   
spout, 3/4" single hole
- Elbow operated mixer tap with PNC 855375   
short spout, 3/4" single hole
- Single hole deck mounted PNC 855382   
mixing temperature monoblock  
faucet
- Single hole deck mounted extra PNC 855383   
robust pot filling mixing  
temperature faucet
- Single hole deck mounted PNC 855384   
mixing temperature faucet with  
short spout
- Single hole deck mounted PNC 855385   
mixing temperature pre-rinse  
unit
- Single hole deck mounted PNC 855386   
elbow operated mixing  
temperature faucet with pre-  
rinse unit
- Single hole deck mounted riser PNC 855387   
add-on mixing temperature  
faucet with pre-rinse unit

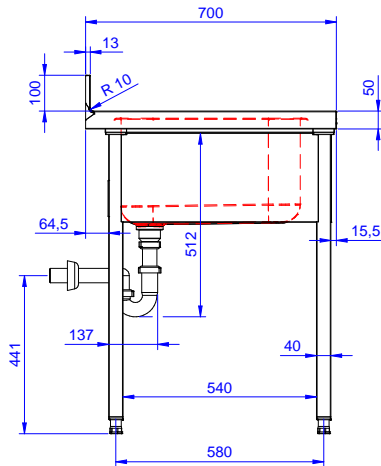
**APPROVAL:** \_\_\_\_\_

- Single hole deck mounted elbow operated mixing temperature faucet with short pre-rinse unit PNC 855388
- Single hole deck mounted riser add-on mixing temperature faucet with pre-rinse unit PNC 855389
- Single hole deck mounted mixing temperature faucet with pre-rinse unit PNC 855390
- Floor fastening kit for 2 square legs PNC 865386
- Single plastic drain syphon 2" for sinks PNC 895313

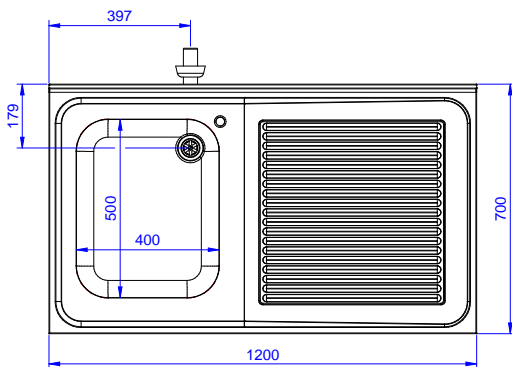
**Front**



**Side**



**Top**



**Key Information:**

**External dimensions,  
Width:**

**133191 (NSBD1217R)** 1200 mm

**External dimensions,  
Depth:**

700 mm

**External dimensions,  
Height:**

1000 mm

**Upstand Dimensions,  
Height:**

100 mm

**Upstand Dimensions,  
Depth:**

13 mm

**Upstand Dimensions,  
Radius:**

R=10

**Bowls number**

1

**Bowl dimensions**

400x500xH320

**Worktop thickness:**

0 mm

**Net weight:**

32.3 kg